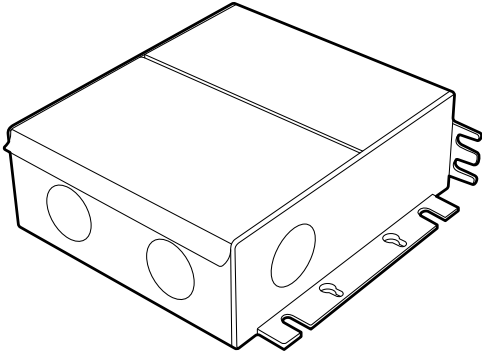


DATA SHEET

UNIVERSAL LED TRANSFORMER 60W 24V DC

SKU: SA-PS-24V-2.5A-60W-UNI

Product Description



Solid Apollo's Universal Transformers are specifically designed to offer dimming capabilities to our entire library of low volt LED products. The Universal Transformers work seamlessly with Electronic Low Voltage (ELV), Magnetic Low Voltage (MLV), and TRIAC dimmers. No more scouring compatibility lists to find your dimmer!

All wires are labeled on the unit to help you easily identify your connections. For transformers over 96W, each additional 96W load is provided its own leads so even the largest transformer remains Class II Certified.

The unit itself is expertly crafted with a heavy-duty metal construction. Wings with screw holes allow for optional mounting and multiple punchouts offer easy cable management. Each unit is IP65 water resistant and ready to install out of the box.

- UL Listed
- Class II Certification
- Easily Dim 24V LEDs With Your Choice of Dimmer
- Can be used with ELV, MLV, and TRIAC Dimmers
- Dim up to 60W of any 24V LED Lighting Product

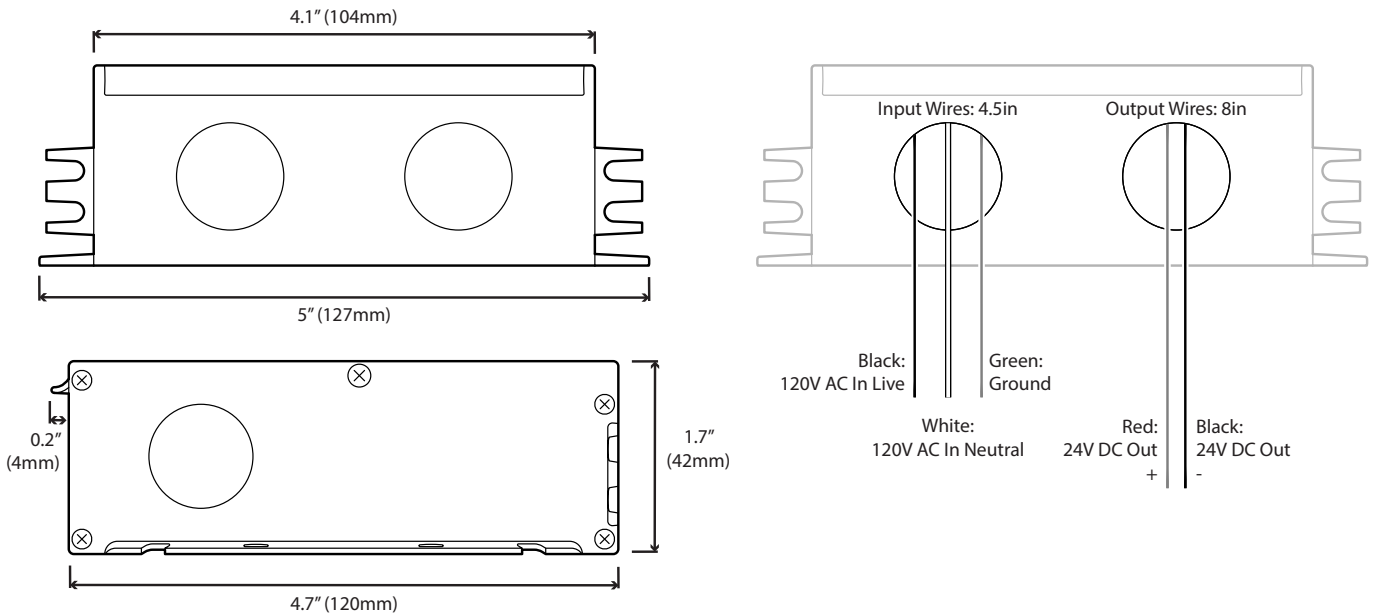
Quick Spec.

• Dimmable	Yes
• Input Voltage:	120V AC 50/60Hz
• Max Power:	60W
• Max Amp:	2.5A

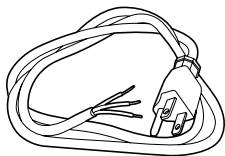
• Warranty:	3 Years
• Weight:	1.25 lb
• Dimensions:	5" x 4.7" x 1.7"
• IP Rating:	IP65

• Product Color:	Black
• Working Temp:	-4 - 122F
• Certifications:	UL Listed, RoHS, Class II

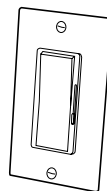
Technical Diagrams



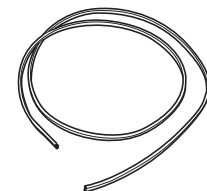
Companion Products



5 Foot AC Power Cord
SKU: US AC Cord



In-Wall LED Dimmer Switch
SKU: SA-CTRL-Lutron-150



DC 2-Wire Cable
SKU: SA-LS-ACC-002