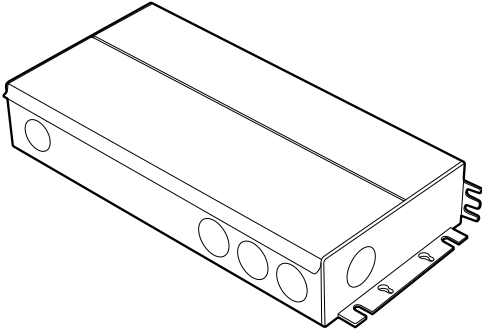


DATA SHEET

# UNIVERSAL LED TRANSFORMER 288W 24V DC

SKU: SA-PS-24V-12A-288W-UNI



## Product Description

Solid Apollo's Universal Transformers are specifically designed to offer dimming capabilities to our entire library of low volt LED products. The Universal Transformers work seamlessly with Electronic Low Voltage (ELV), Magnetic Low Voltage (MLV), and TRIAC dimmers. No more scouring compatibility lists to find your dimmer!

All wires are labeled on the unit to help you easily identify your connections. For transformers over 96W, each additional 96W load is provided its own leads so even the largest transformer remains Class II Certified.

The unit itself is expertly crafted with a heavy-duty metal construction. Wings with screw holes allow for optional mounting and multiple punchouts offer easy cable management. Each unit is IP65 water resistant and ready to install out of the box.

- UL Listed
- Class II Certification
- Easily Dim 24V LEDs With Your Choice of Dimmer
- Can be used with ELV, MLV, and TRIAC Dimmers
- Dim up to 288W of any 24V LED Lighting Product

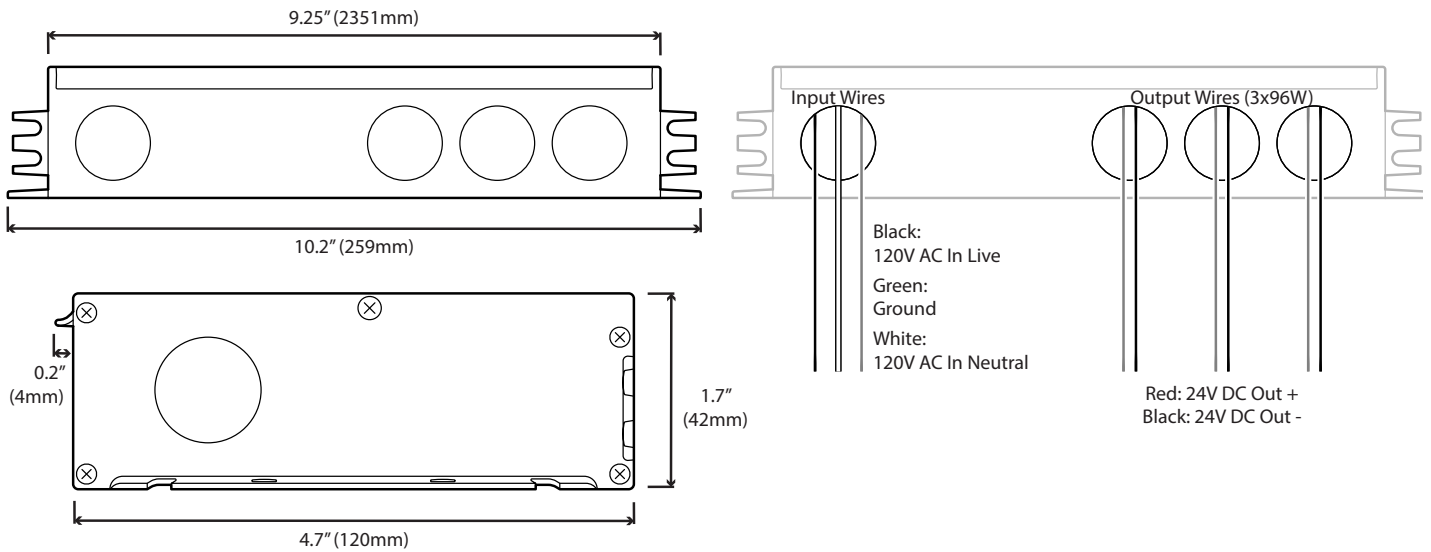
## Quick Spec.

• Dimmable	Yes
• Input Voltage:	120V AC 50/60Hz
• Max Power:	288W
• Max Amp:	12A

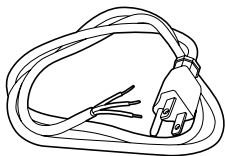
• Warranty:	3 Years
• Weight:	2.65 lb
• Dimensions:	10.5"x4.7"x1.7"
• IP Rating:	IP65

• Product Color:	Black
• Working Temp:	-4 - 122F
• Certifications:	UL Listed, RoHS, Class II

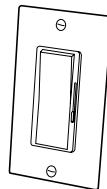
## Technical Diagrams



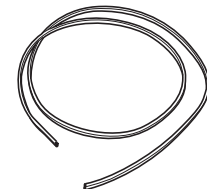
## Companion Products



**5 Foot AC Power Cord**  
SKU: US AC Cord



**In-Wall LED Dimmer Switch**  
SKU: SA-CTRL-Lutron-150



**DC 2-Wire Cable**  
SKU: SA-LS-ACC-002