



Solid Apollo Data Sheet for **iChroma RGB** LED Controller

SolidApollo's iChroma RGB LED Controller, is specially designed to easily control any RGB lighting products, such as: RGB LED Strips, garden RGB Spot lights, RGB Recessed Lights, etc.

Thanks to its compact and elegant design you can **easily install** the iChroma RGB Led Controller anywhere accessible. With its **pre-programmed** modes you are able to create your own personalized effect. The iChroma main functions are:

- o You can choose from any of the 31 pre-programmed modes, allowing you to create the following effects:
 - **Rapid color change** (you can choose from White to RGB or either 2, 6 or 7 colors)
 - **Static colors** (available in 7 colors)
 - **Gradual color change** (available in RGB, 2 or 7 color change)
 - **Fade in and fade out effect** (available in 1, 2, RGB or 7 colors)
 - **Flashing color change** (choose from RGB or 7 color change)
 - **White** color available in **Static, rapid color change** or **fade in and fade out**
- o Select static color (1024 colors)
- o Choose program Speed
- o Regulate brightness (0-100%)
- o The 'Pause' button to select a static color
- o ON/OFF button.

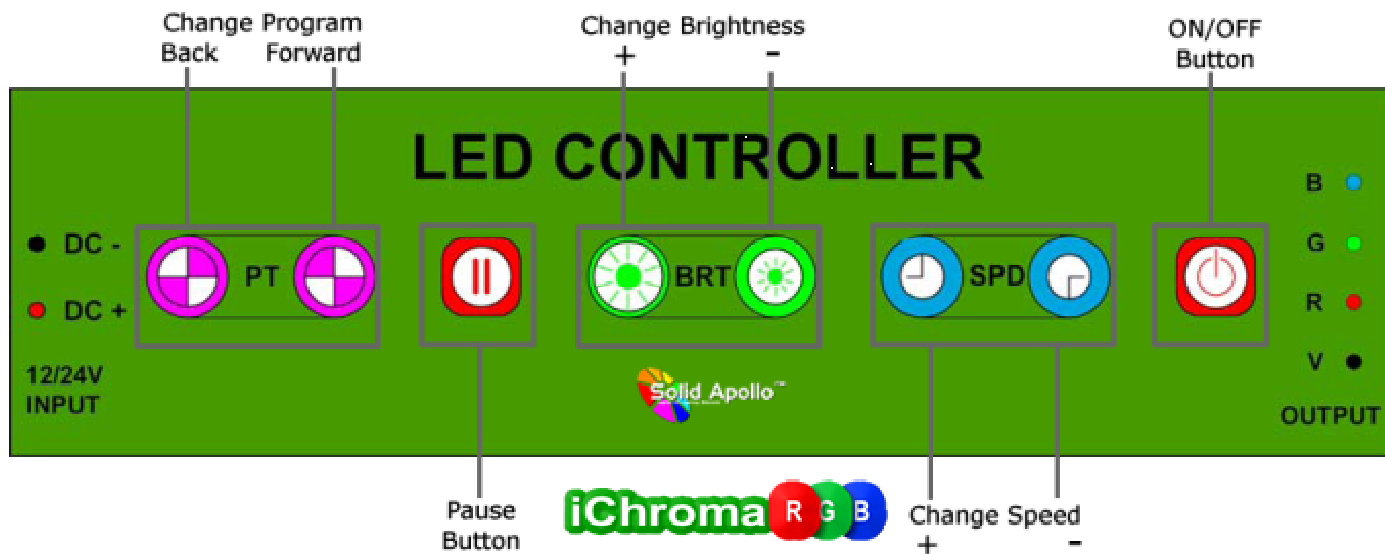


Program options

1: Static Red	9: 7-color flicker	17: White jumping	25: White fade in, fade out
2: Static Green	10: 6-color jumping	18: 7-color gradual change	26: RG fade in, fade out
3: Static Blue	11: 6 color flicker	19: RGB gradual change	27: RB fade in, fade out
4: Static yellow	12: RGB jumping	20: RG gradual change	28: GB fade in, fade out
5: Static purple	13: RGB flicker	21: RB gradual change	29: Red fade in, fade out
6: Static cyan	14: RG jumping	22: GB gradual change	30: Green fade in, fade out
7: Static white	15: RB jumping	23: 7-color fade in, fade out	31: Blue fade in, fade out
8: 7-color jumping	16: GB jumping	24: RGB fade in, fade out	

Product Specifications:

- o Input voltage: 12 or 24V DC
- o Measurements: (L) 8.26" (H) 1.57" (W) 1.18" inches
- o Weight: 10.58 oz
- o Standby power: 0.5W
- o PWM System 0-100%
- o 3 RGB channels, 5A for each channel
- o Maximum power:180W (12V) 360W (24V)
- o Includes output protection function, extending the life span of LEDs
- o Maximum 31 different modes pre programmed, and 256 levels of brightness
- o Speed and brightness can be separately customized for each mode
- o Pause function available
- o Automatic program memory when powered off
- o Easy access OFF button



Instructions on how to use

PT : Change program

+: Press it to change the mode to next one

- : Press it to change the mode to previous one

Pause: Press once to select current color, press again and the color changing program will continue

Brightness (change the level of brightness)

+: Press to increase brightness (highest setting by default)

- : Press to decrease brightness

Speed (change speed intensity)

+: Press to increase speed (highest setting by default)

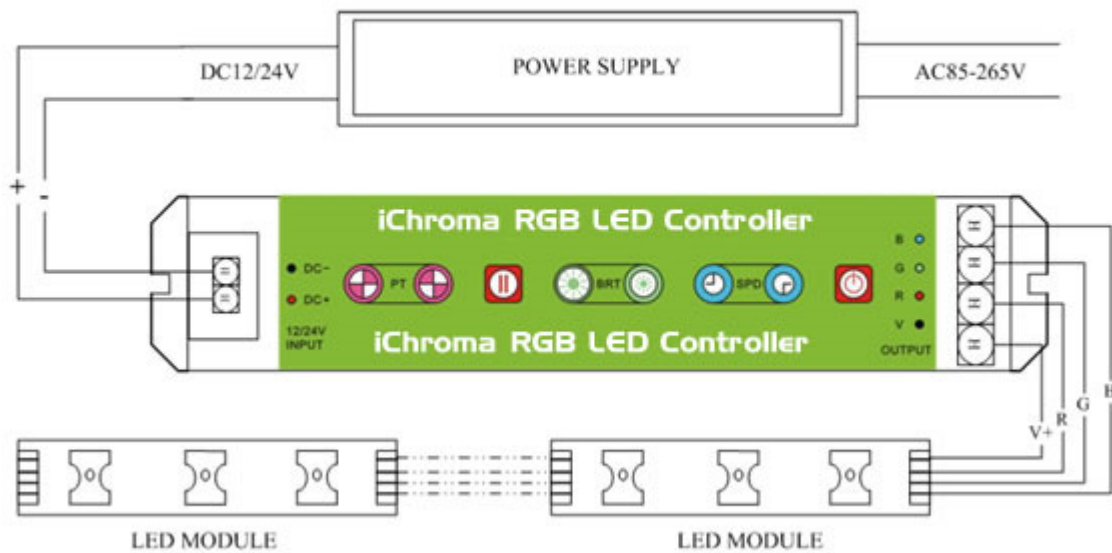
- : Press to decrease speed

ON/OFF: Press to turn on and off.



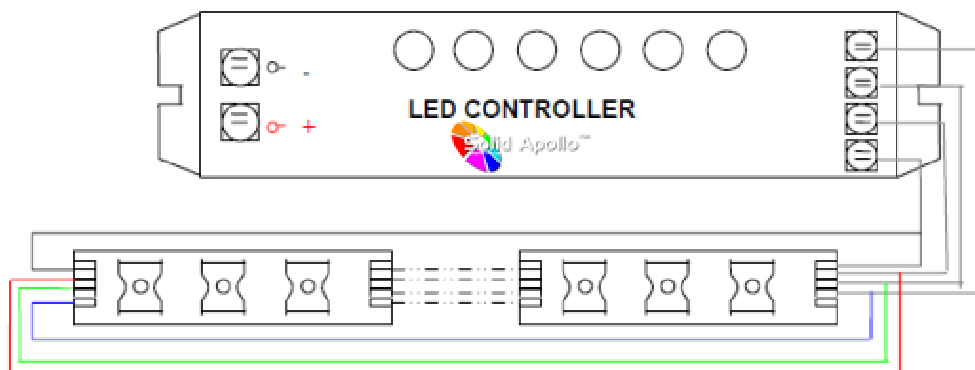


Connection Diagram



Installation guidelines

- (1) The input voltage should be limited only to 12V or 24V.
- (2) Do not overload led modules/strips, maximum power:180W (12V) 360W (24V).
- (3) Install in a suitable environment.
- (4) If the cabling is too long, you should do a parallel connection as shown in the chart below.
- (5) Make sure that the wiring is consistent throughout the led modules/strips. B, G and R are negative and V is Positive.





Troubleshooting Guide

Problem	Reason	Solution
1. All three colors are not working	The power cable is not connected or there is no output	Reconnect the power cable or change the power supply
	Led module/strip is not properly connected	Reconnect the power cable that leads to the Led module/strip
2. Only one color is not working	The wire of that color is not properly connected	Reconnect the cable of that color
3. Irregular flicker	The wiring is too long or not connected correctly	Shorten the wires or add amplifier

