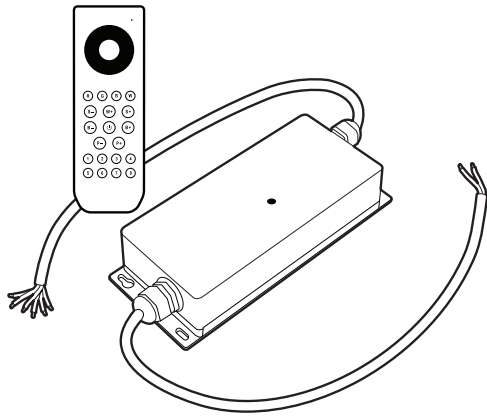


DATA SHEET

WATERPROOF 8 ZONE RGB-W LED CONTROLLER/REMOTE

SKU: SSA-CTRL-100-TX-RX-IP67



Product Description

Solid Apollo's Waterproof 8 Zone RGB-W LED Controller/Remote is the perfect solution for controlling outdoor RGB LED fixtures that work at low-voltage. The Wireless Waterproof RGB-W Controller can perform at a maximum wattage of 480W at 5 amps per channel (4 Channels: RGB-W) operating at 24V DC. It features a Learning Key button located in the center of the controller for easy pairing with the included 8 Zone Remote and a fully enclosed waterproof encasing rated at IP67 suitable for indoor/outdoor use and in all-weather environments. The included 8 Zone Remote features a variety of functions such as fine tuning a selected color, ability to choose and mix individual colors (Red, Green, Blue, and White), brightness level adjustments, and playing up to 10 preset color-changing programs. In addition, the 8 Zone Remote allows you to individually control up to eight different zones independently or in a group. If you wish to control multiple zones, you simply add additional Wireless Waterproof RGB-W Controllers per each zone. The remote includes a wall holder for easy, convenient storage.

- Includes 1 x 8 Zone RGB-W Remote and 1 x Wireless RGB Controller for 1 zone
- Controls RGB/RGBW low-voltage (24V) LED Fixtures
- Control Up to 8 Zones Individually or in Group
- Impressive 65 Feet Wireless Range
- Waterproof Controller IP67 for Indoor/Outdoor Installation
- Soft ON/OFF Technology
- Up to 10 Preset Color-Changing Programs
- Easy Brightness Control for One or Multiple Zones
- Controller Max Power 240W@12VDC and 480W@24V DC
- Memory Function that Remembers Last Scene Selected on All Zones
- Great for Controlling Outdoor Low-Voltage RGB and RGB-W LED Fixtures

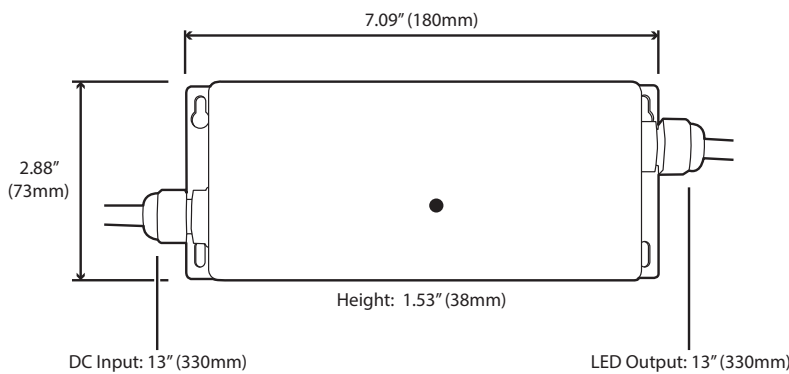
Quick Spec.

• UL Listed	Yes
• Controllable Zones	8 via RGB-W Remote
• Dimmable	Yes, by remote
• Input Voltage:	Controller: 12-36VDC
• Max Power:	240W@12V & 480W@24V
• Max Amp:	Controller: 4 x 5A

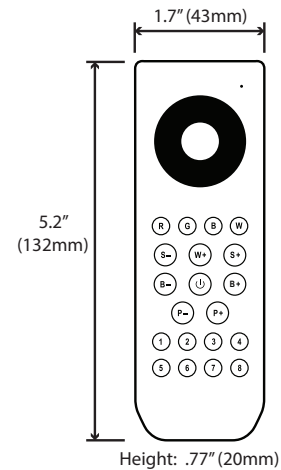
• Warranty:	3 Years
• Weight:	0.95 lb
• Dimensions:	Remote: 5.2"x1.7"x0.77" Controller: 7"x2.8"x1.5"
• IP Rating:	IP67
• Control System:	PWM 180hz refresh rate

• Channels:	4
• RGB Channels	3
• Product Color:	White
• Working Temp:	-4 - 122F
• Certifications:	CE, RoHS Controller: UL Listed

Technical Diagrams

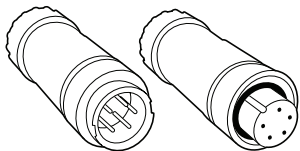


CONTROLLER TOP

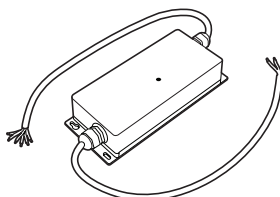


REMOTE TOP

Companion Products



RGB-W Outdoor Waterproof Connector
SKU: SA-LS-5-PIN-GLAND



Controller for Waterproof 8 Zone RGB-W LED Remote
SKU: SA-CTRL-100-TX-IP67



RGB+Warm White 5050 72W
SKU: SA-LS-RGB-WW-5050-300-IP67-24V