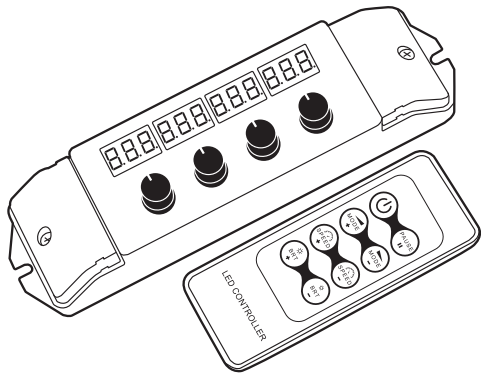


DATA SHEET

DUOBRITE RGB-W LED CONTROLLER/REMOTE

SKU: SA-CTRL-RGBW-DUOBRITE-AND-REMOTE



Product Description

The DuoBrite RGB-W Controller now has a 4th channel - white. Control RGB (red, green, blue) and white individually to set single color lights or mix all four colors at the same time to create a unique color. The DuoBrite can change colors, play color-changing modes, and turn On or Off hassle free with the RF Remote. Use the DuoBrite RGB-W controller inline with any 12V to 24V color changing RGB-W lights to precisely control any color. Over 16,000 color variations or choices are possible. Use the RF remote to initiate 1 of 36 incredibly vibrant color changing programs to bring excitement and energy to any location. On the controller, each of the 4 knobs controls a single color, either red, blue, green, or white, and can be used at the same time to precisely mix colors, such as various shades of yellow or purple. The RF remote control will enable you to play with 16 levels of brightness, 16 levels of speed, and control of up to 36 color changing programs. When playing any of the color changing programs, you can pause or change the speed and brightness levels of the program being played. The RF remote comes with a 23A 12V battery and has a wireless range of 100ft with obstacle and 200ft without obstacle.

- Includes 36 Color Changing Programs
- 4 Knob Rotary Design
- Control Colors and Programs
- Clear Digital Readout
- 100 - 200ft Wireless Range
- Comes with Battery (23A 12V)
- Compact Design with 8 Buttons
- ON/OFF Button
- Select Programs Buttons
- Pause, Speed, and Brightness Control Buttons

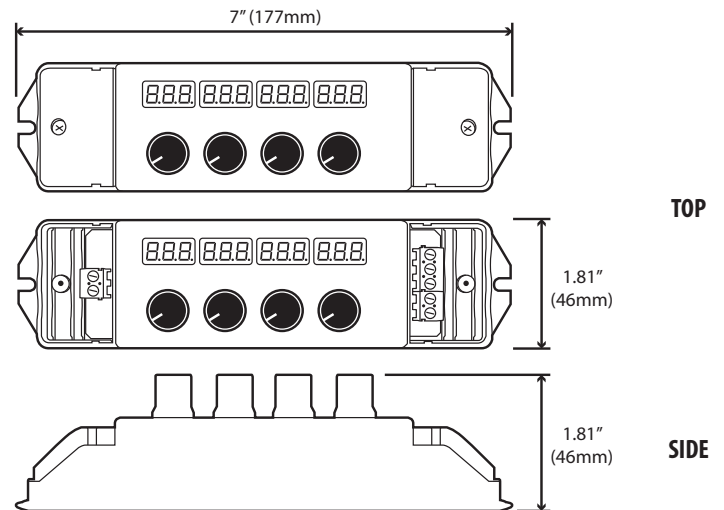
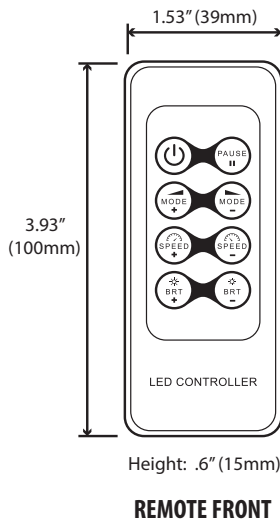
Quick Spec.

• Dimmable	Yes, by remote
• Input Voltage:	Remote: 1 x 23A 12V Battery
	Controller: 12-24VDC
• Max Power:	Controller: 240W@12VDC
	480W @ 24VDC

• Warranty:	3 Years
• Weight:	0.5 lb
• Dimensions:	Remote: 3.93"x1.53"x0.6"
	Controller: 7"x1.81"x1.81"
• IP Rating:	IP55

• Control System:	PWM
• RGB Channels:	4 (5A Each)
• Product Color:	White
• Certifications:	CE, RoHS

Technical Diagrams



Companion Products



RGB-Warm White 120W
SA-LS-RGB-WW-480-24V



RGB+Daylight White 5050 72W
SKU: SA-LS-RGB-DW-5050-300-24V